

# Installation instructions for Gladiator Dog Bin

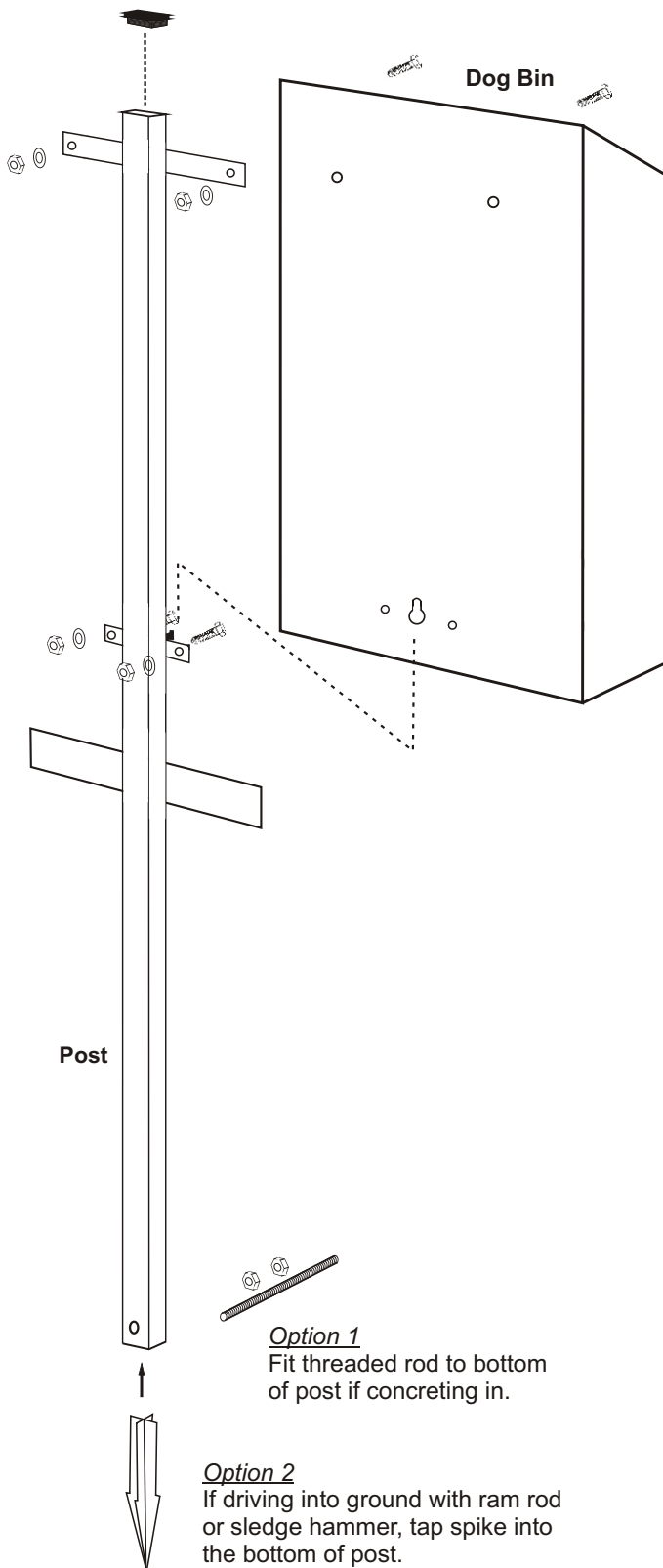


enterprise

Unit 27 Old Wool Lane  
Demmings Road Ind Est  
Cheadle, Cheshire SK8 2PE

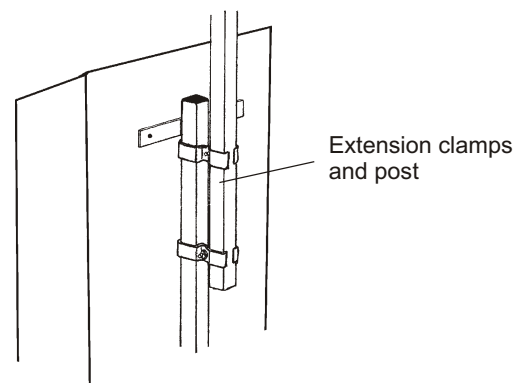
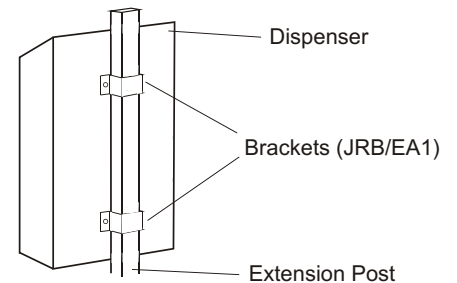
Tel: 0161 491 5001  
Fax: 0161 491 6622

## Check for buried services



Fit the post in the ground until the flat bar half way up is fully bedded into the ground.  
**(Make sure it is Vertical)**

### Fitting Dispenser to bin



Installation can only be carried out once the dog bin has been installed

There are 2 preassembled clamps

1. Separate the clamp and sandwich the extension post to the dog bin post between the two-piece clamp.
2. Replace the nut and finger tighten
3. Repeat with other clamp.
4. Position the post to the desired height.
5. Tighten both bolts and, if using shear nuts, shear the hexagon off.

**CAUTION:-** Shearing of the hexagon nuts can usually be sensed but we advise wearing of gloves during tightening of nuts to prevent possible skinning of knuckles.