

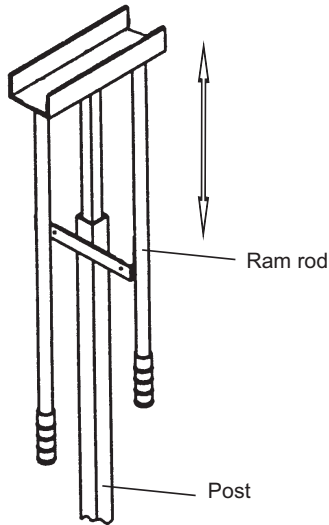
# Installation instructions for Hercules Dog Bin



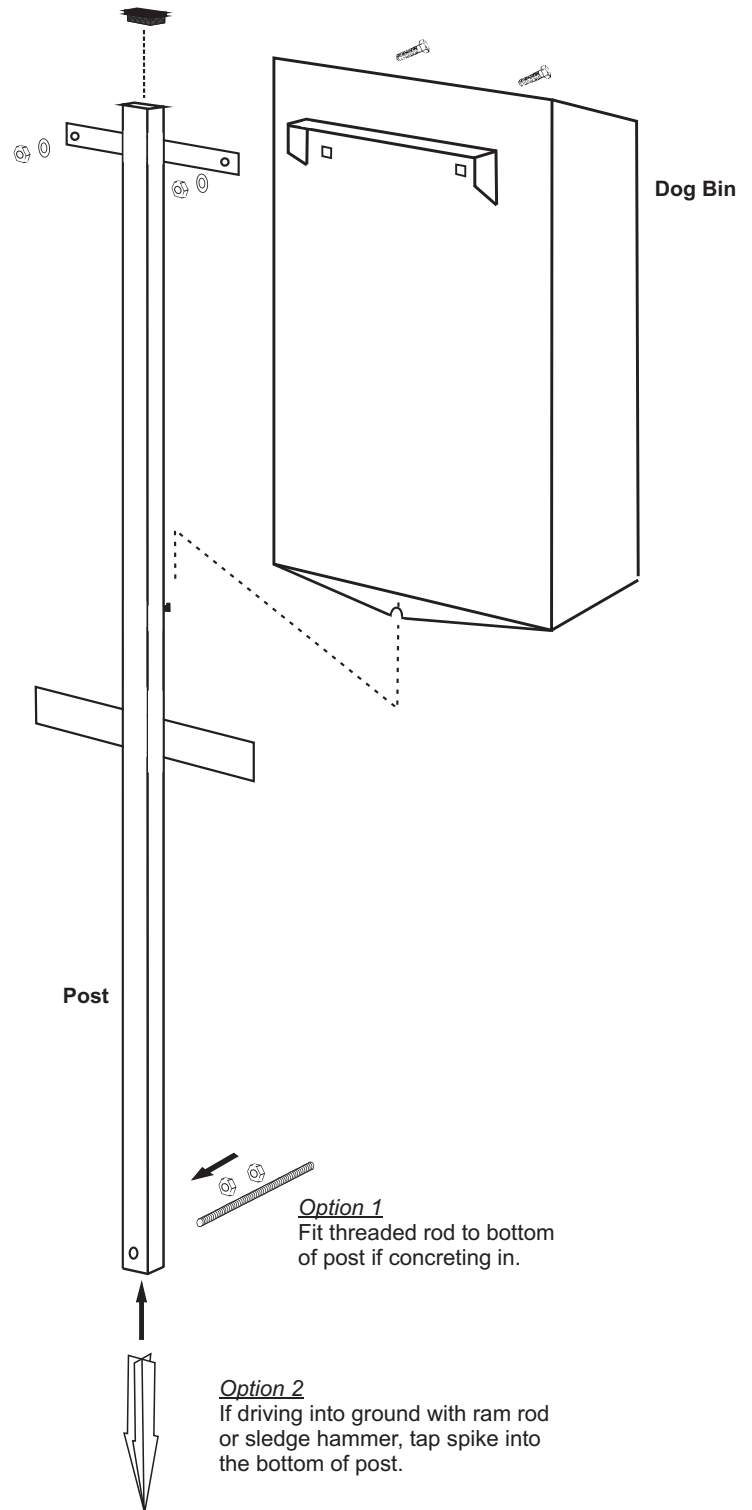
**enterprise**

Unit 27 old Wool Lane  
Demmings Road Ind Est  
Cheadle SK8 2PE  
Tel: 0161 491 5001  
Fax: 0161 491 6622

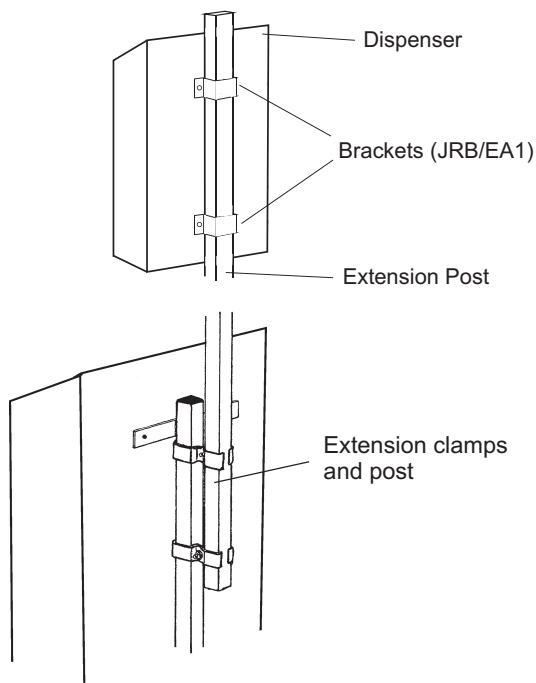
## Check for buried services



Fit post in ground until angle iron is fully bedded into the ground.  
**(Make sure it is Vertical)**



## Fitting Dispenser to Bin with Extension Post



Installation can only be carried out once the dog bin has been installed

There are 2 preassembled clamps

1. Separate the clamp and sandwich the extension post to the dog bin post between the two-piece clamp.
2. Replace the nut and finger tighten
3. Repeat with other clamp.
4. Position the post to the desired height.
5. Tighten both bolts and, if using shear nuts, shear the hexagon off.

*CAUTION:- Shearing of the hexagon nuts can usually be sensed but we advise wearing of gloves during tightening of nuts to prevent possible skinning of knuckles.*