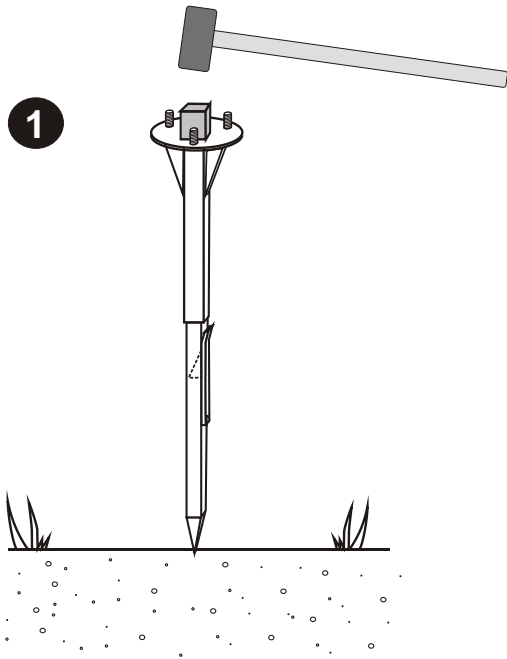
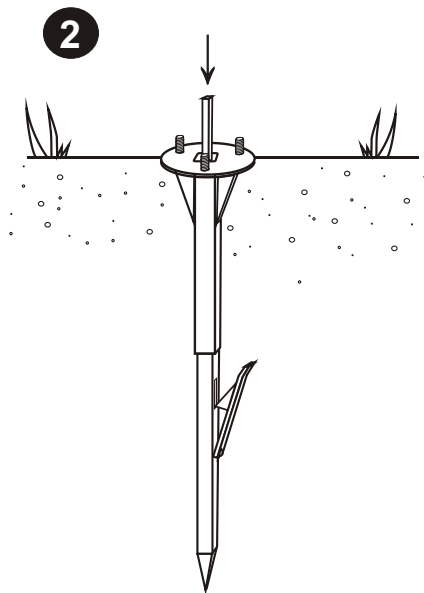


# Installation instructions for Pegisus Litter bin with Quick fix post

Easy to install into soft or unsurfaced ground with out digging holes or concreting

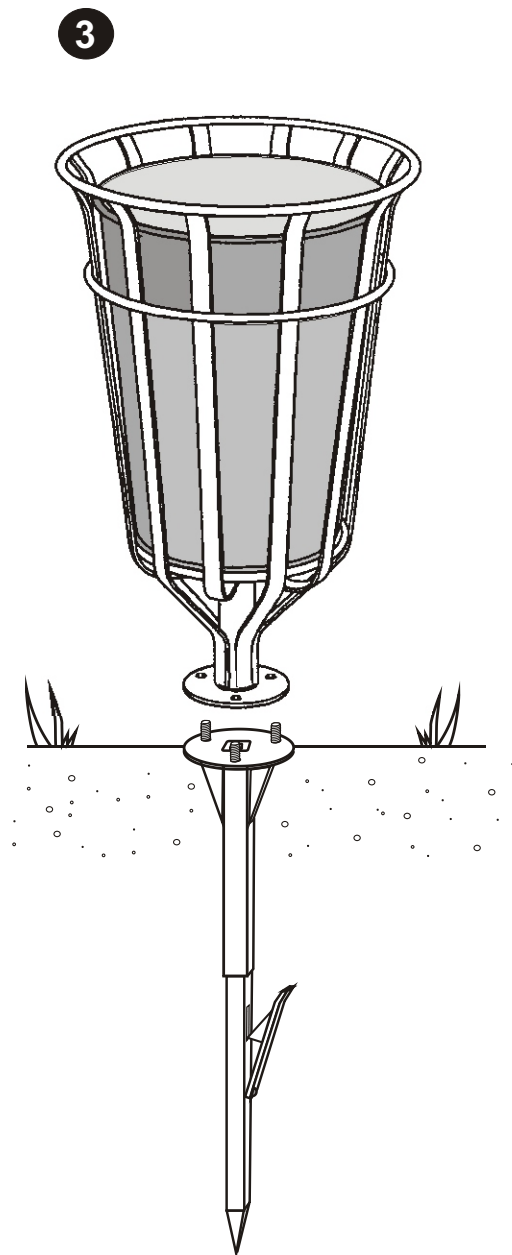


**Fit Installation socket into the top of the post.  
 Drive post into the ground using sledge hammer.  
 (Make sure the post is vertical)**



**Anchor barb is activated by tapping the rod  
 supplied down centre of post**

**Check for buried services**



**The bin is fixed to post using the anti-vandal shearnuts.  
 Small vertical adjustments can be made by using supplied washers  
 between the post and the bin.  
 (We advise wearing gloves when shearing the nuts to prevent skinning of knuckles)**